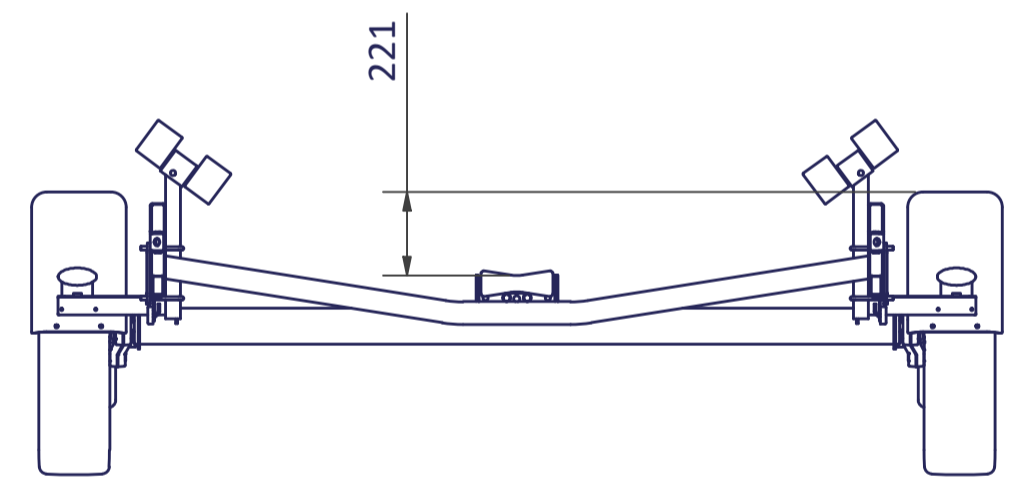
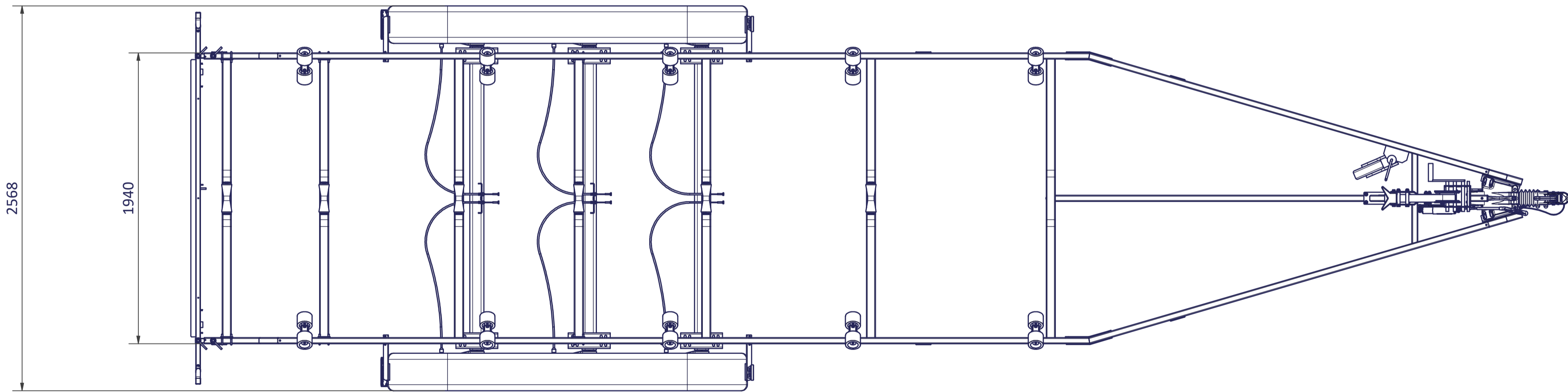
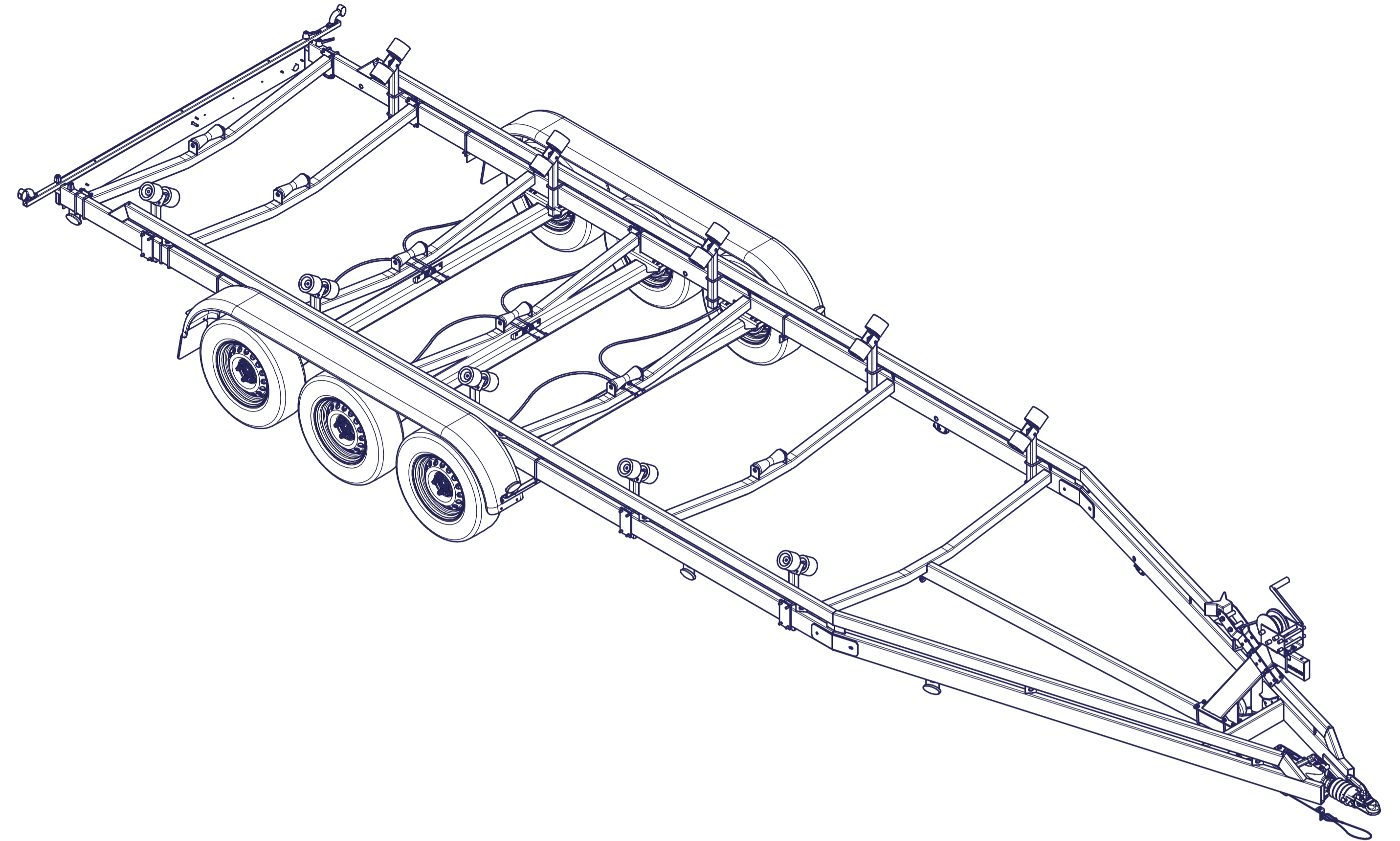
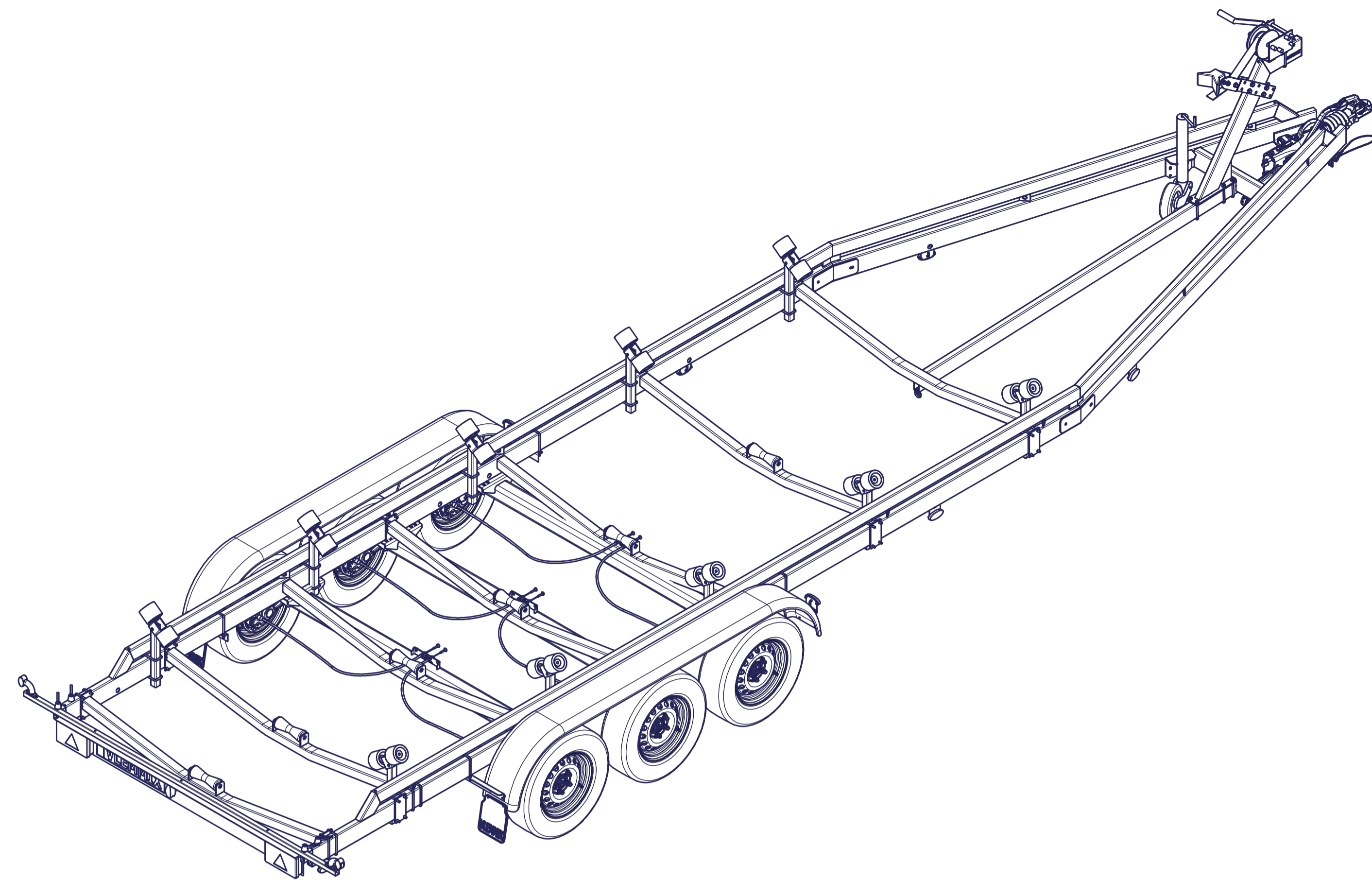
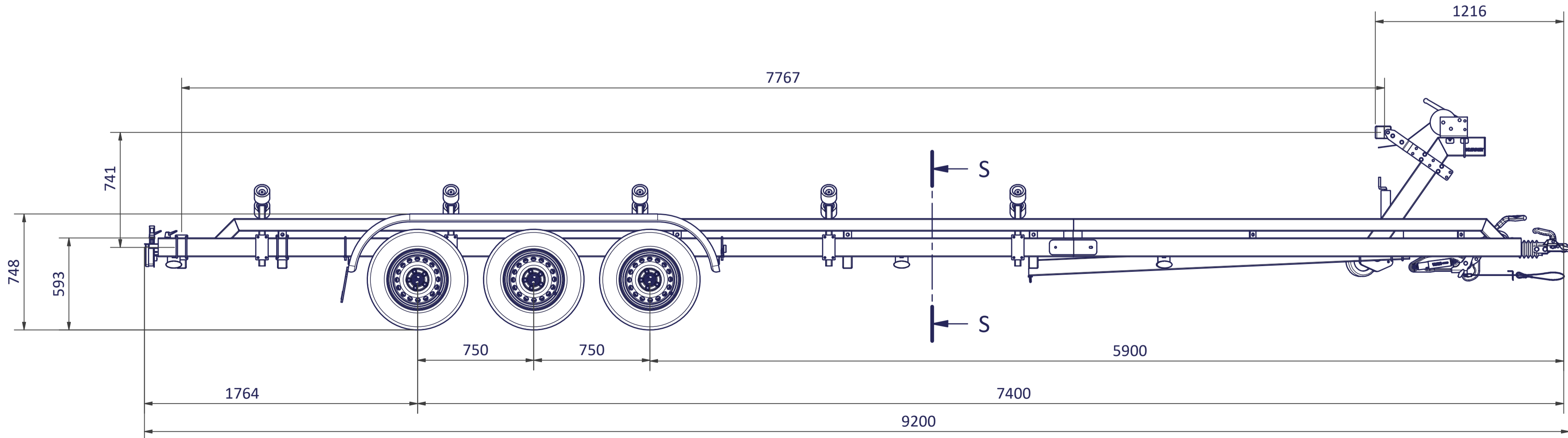


12 11 10 9 8 7 6 5 4 3 2 1

H
G
F
E
D
C
B
A



S-S



BOOTTRAILER 920

3x AS 1500/1800 kg

Surface treatment: ZINK PLATED	
QTY:	© VLEMMIX AANHANGWAGENS This drawing and its contents may not be made accessible and/or duplicated for others without permission. All rights reserved.
TOLERANCE:	UNIT: DRAWN BY: J.H.
ISO 2768-MK	DATE: 22-9-2021
PROJECT/DRAWING NO.: BT9.2-071-00	
SCALE:	DESCRIPTION: BOOTTRAILER 10 M
A1	1 : 20
SHEET: 2	
SHEETS: 2	

12 11 10 9 8 7 6 5 4 3 2 1

